



P31 Pressure Sensor

Product Overview

The P31 MediaNugget™ absolute & gauge pressure sensors are piezoresistive sensors without signal conditioning.

The MediaNugget™ family of micromachined, pressure sensors has optimum media isolation for use with both harsh and benign media.



Typical Applications

- Refrigeration
- HVAC
- Fuel Cells
- Process Controls
- Pumps
- Agriculture
- Hydraulics
- Pneumatics
- Compressors
- Spray Systems
- Flow
- Robotics

Technical Specifications

Maximum Pressure

7,500 PSI

Maximum Operating Temp.

105 °C

Parameter	Value	Units
Pressure/Temperature Cycles	> 6 x 10 ⁶	Cycles
Thermal Shock	300	Cycles
Vibration	144	Hours
Humidity	250	Hours
Weight	≤ 47	Grams

Chemical Compatibilities

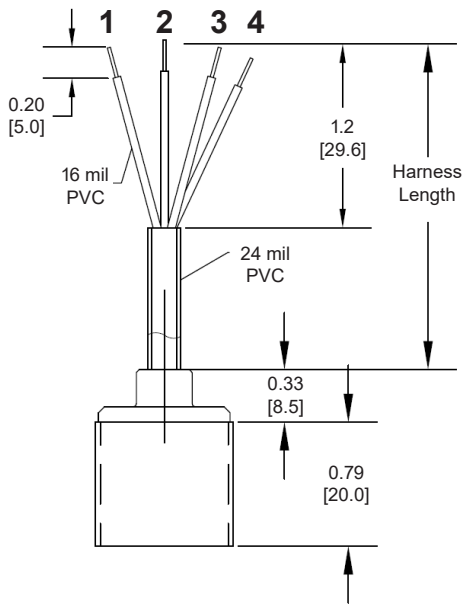
Any gas or liquid compatible with 304L and 316L stainless steel. (Including but not limited to motor oil, diesel, hydraulic fluid, brake fluid, water, wastewater, hydrogen, nitrogen, and air.) Designed to be used in media isolated mediums.

Agency Approvals & Certifications

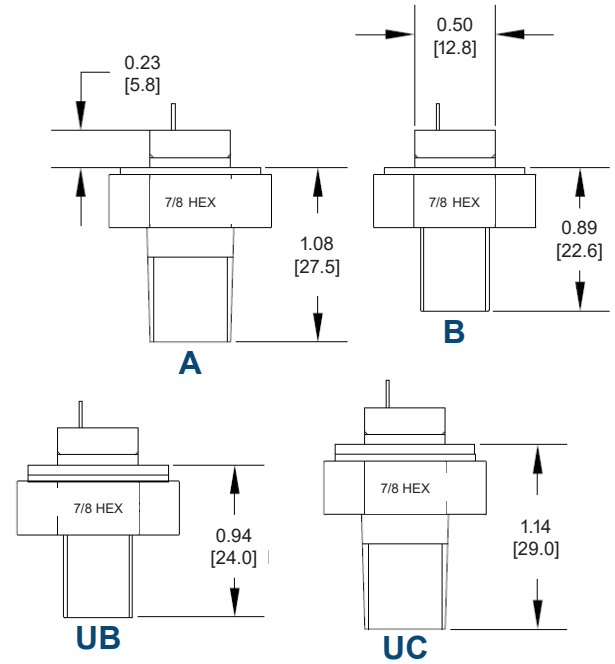


Dimensional Drawings

Harness and Body



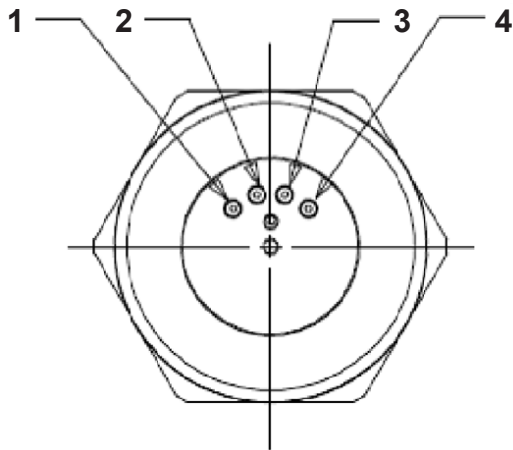
Ports



Connector

Terminals:

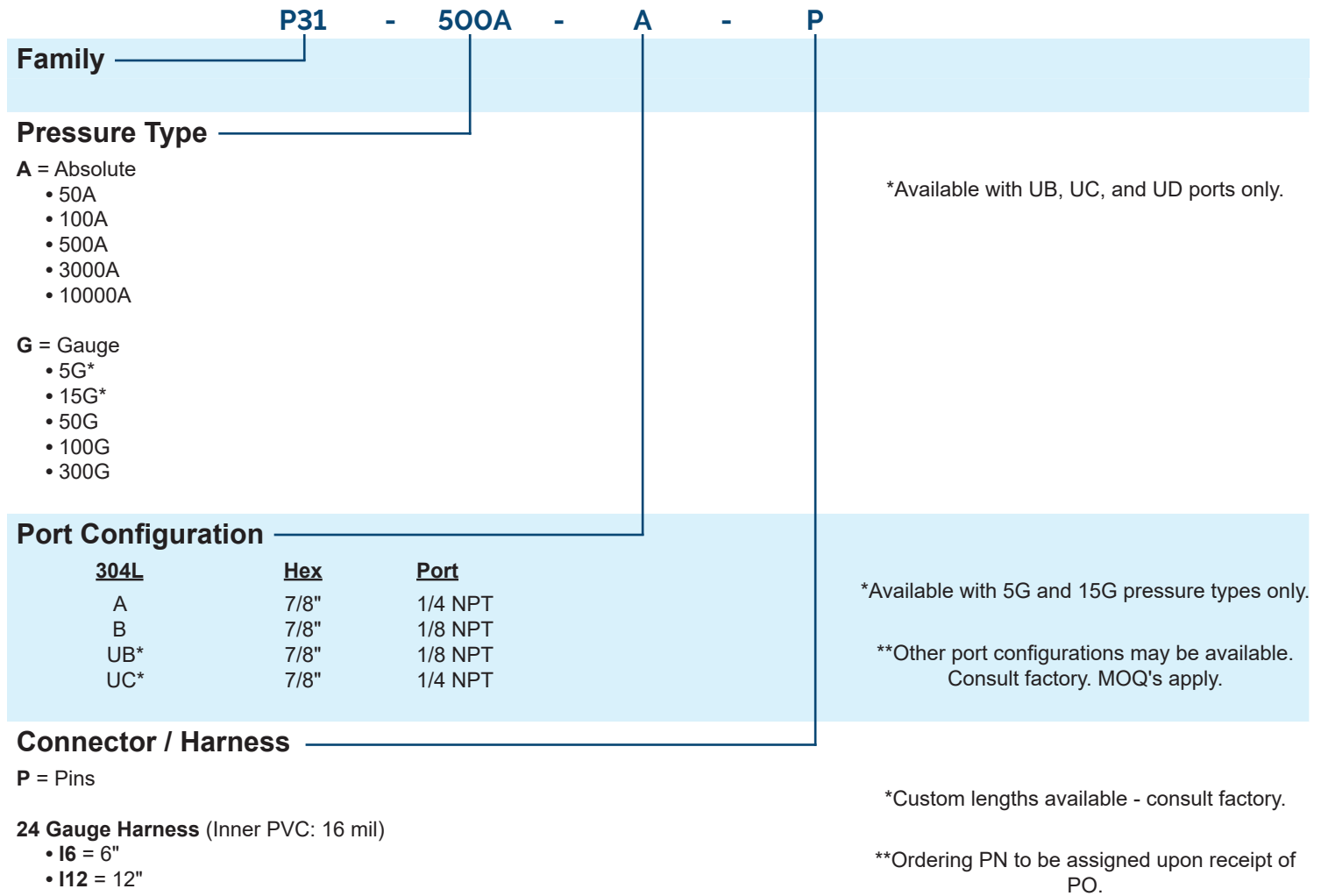
- 1) Ground - Black
- 2) Negative Bridge - Green
- 3) Drive Voltage - Red
- 4) Positive Bridge - White



Measurement Units

0.00	=	Inches
[00.0]	=	Millimeters

P31 MediaSensor™ Ordering System



Contact

SSI Technologies, LLC

3200 Palmer Drive, Janesville, WI 53546

ssi-sensors.com

1 (608) 757-2000



SSI Technologies, LLC is an Amphenol Advanced Sensors company.



SSI Technologies, LLC
—an Amphenol Company—

Warranty

LIMITED WARRANTY: All SSI products are warranted against defective materials and workmanship for a period of one (1) year from the date of delivery to the original purchaser. Any product that is found to be defective within the one year period will be replaced at the discretion of SSI. **THIS WARRANTY IS IN LIEU OF ALL OTHER WARRANTIES, EXPRESS OR IMPLIED, OF MERCHANTABILITY, FITNESS FOR PARTICULAR PURPOSE, PERFORMANCE, OR OTHERWISE.** SSI is not an expert in the customer's technical field and therefore does not warrant the suitability of its products for the applications selected by the customer. SSI accepts no responsibility for misuse, misapplication or unauthorized modification of its products.

LIMITATION OF LIABILITY: SSI's obligation under this limited warranty is strictly and exclusively limited to the repair or replacement free of charge of such articles as are found to be defective in material or workmanship on the condition that the purchaser gives prompt written notice to SSI of any claim to breach of warranty within the warranty period, and, if requested, returns the defective articles to SSI. SSI will not assume any expenses or liability for repairs made to its articles outside of its plant, without its prior written consent. SSI reserves the right to satisfy its warranty obligation in full, with respect to defective articles, by the payment to the purchaser of all sums paid by the purchaser to SSI for such articles. **IN NO EVENT SHALL SSI BE LIABLE FOR CLAIMS (BASED UPON BREACH OF EXPRESS OR IMPLIED WARRANTY, NEGLIGENCE OR OTHERWISE) FOR ANY DAMAGES, WHETHER DIRECT, IMMEDIATE, INCIDENTAL, FORESEEABLE, CONSEQUENTIAL, OR SPECIAL.**

Terms & Conditions

Please visit [<https://www.ssi-sensors.com/contact/supplier-portal>] for information regarding the SSI Technologies, LLC Terms & Conditions.

Note: Specs are subject to change without notice.